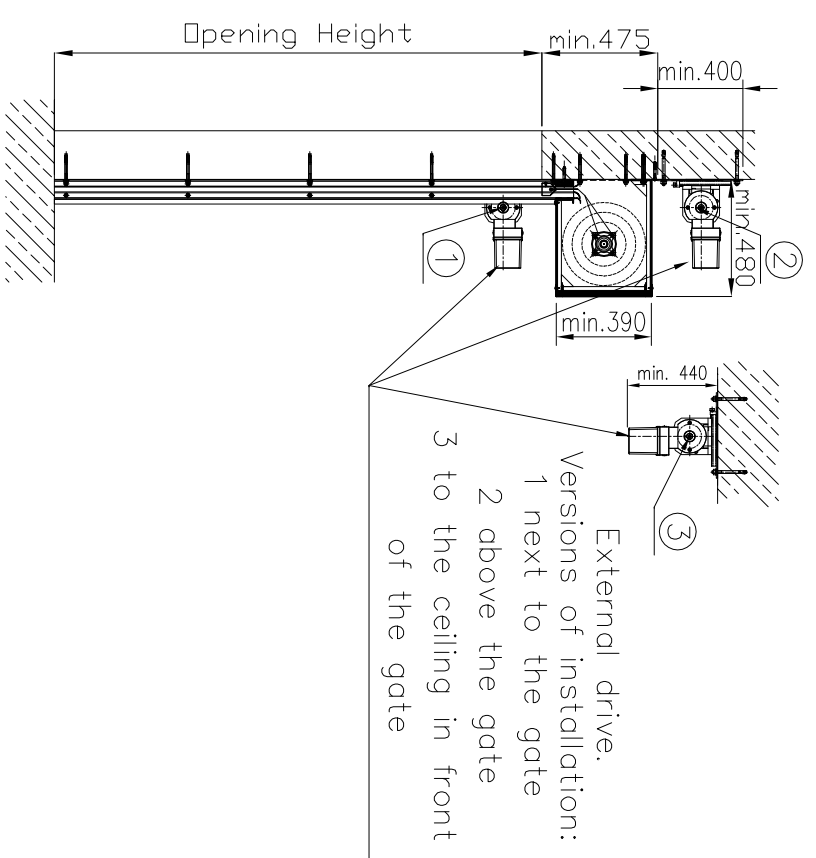
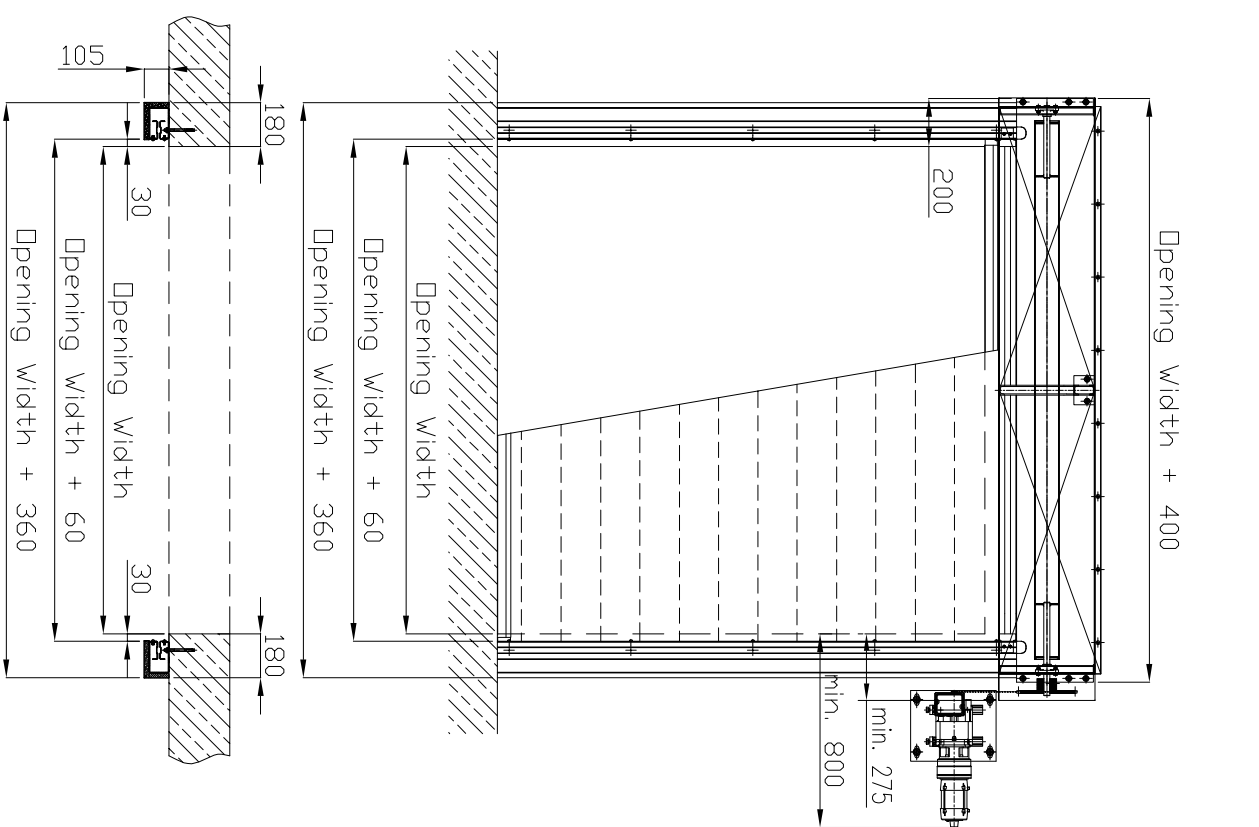
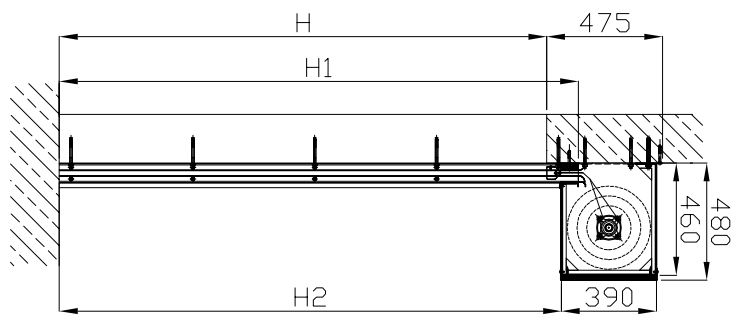


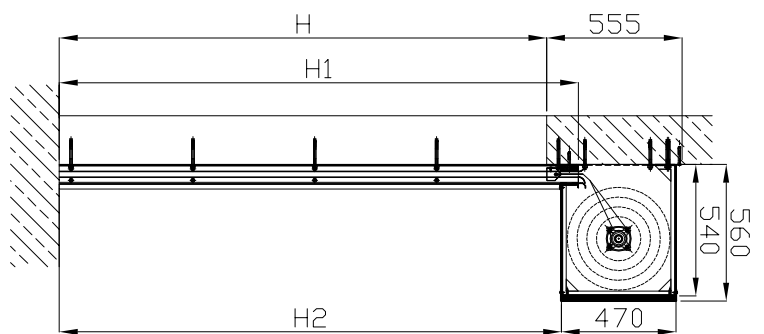
External drive with chain transmission AK120-1 EI120. Gates assembly conditions.



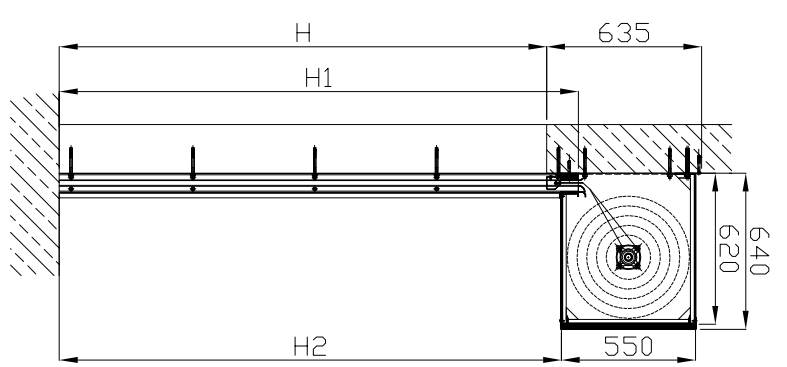
Type 1 housing.



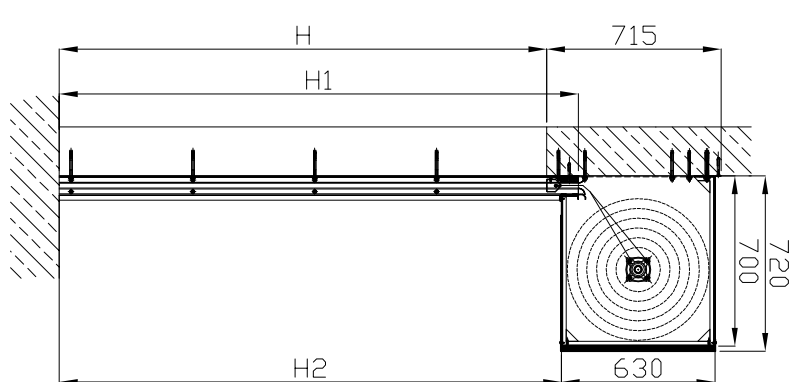
Type 2 housing.



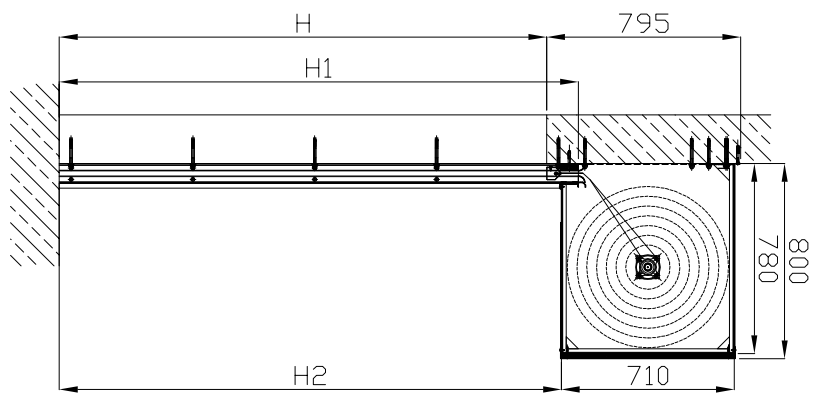
Type 3 housing.



Type 4 housing.



Type 5 housing.



Type 6 housing.

