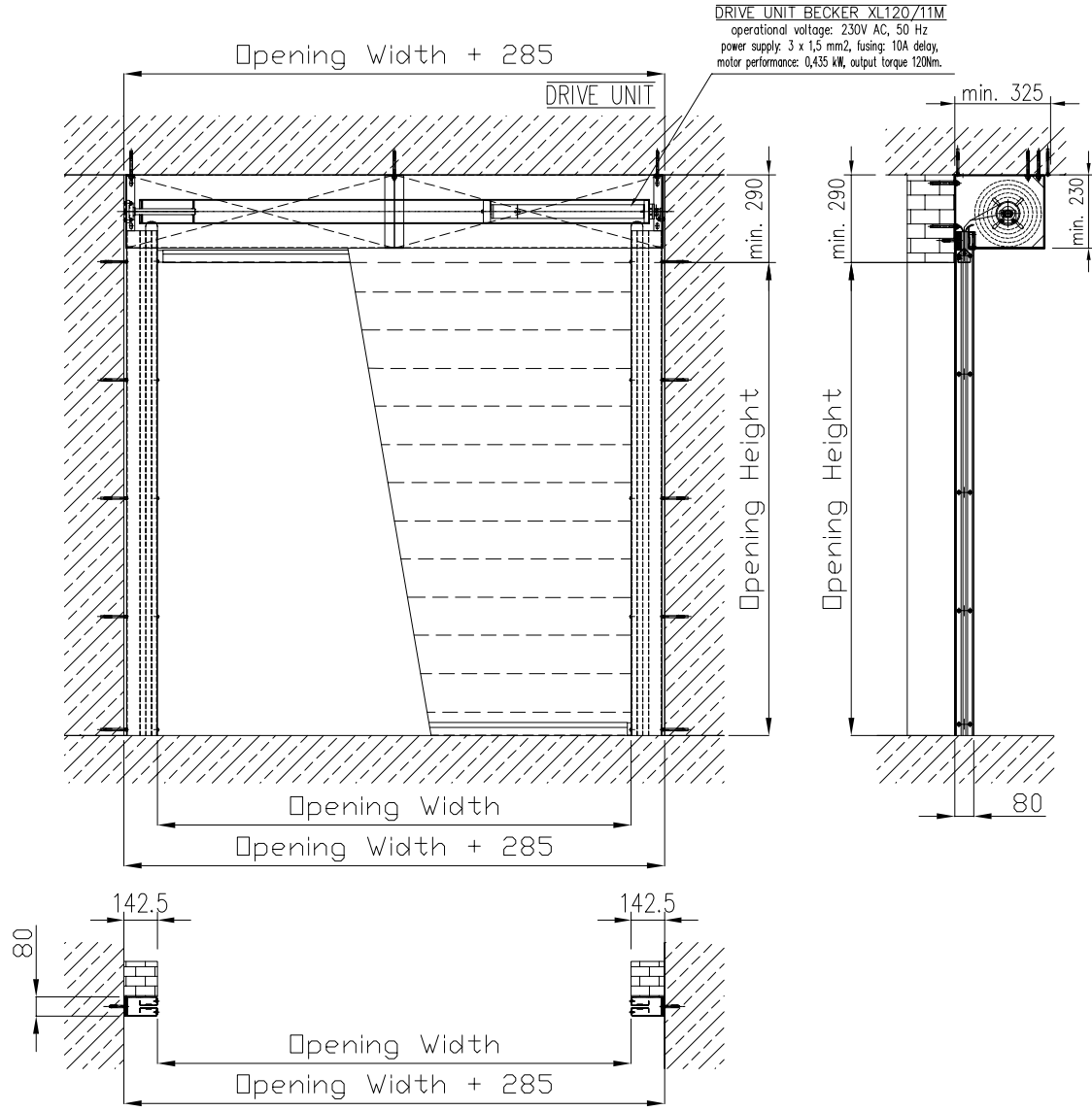


Tubular drive AK60-1 ECO EI60. Gates tunnel assembly conditions.

DRIVE UNIT BECKER XL120/11M
 operational voltage: 230V AC, 50 Hz
 power supply: 3 x 1,5 mm², fusing: 10A delay,
 motor performance: 0,435 kW, output torque 120Nm.



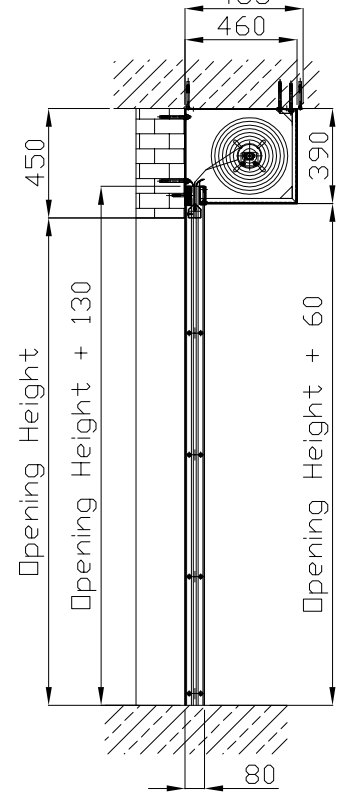
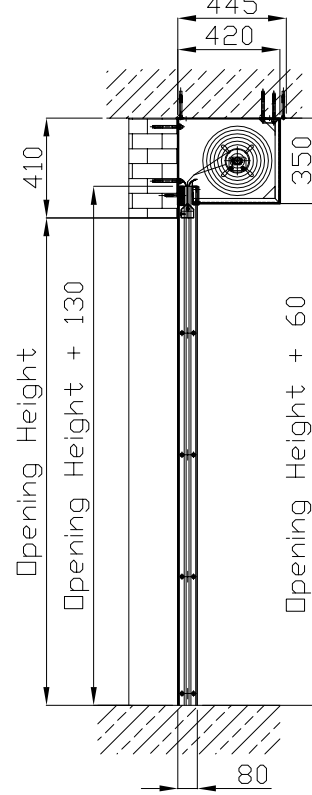
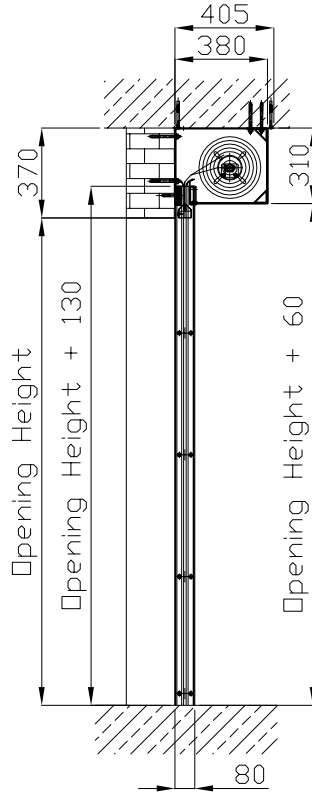
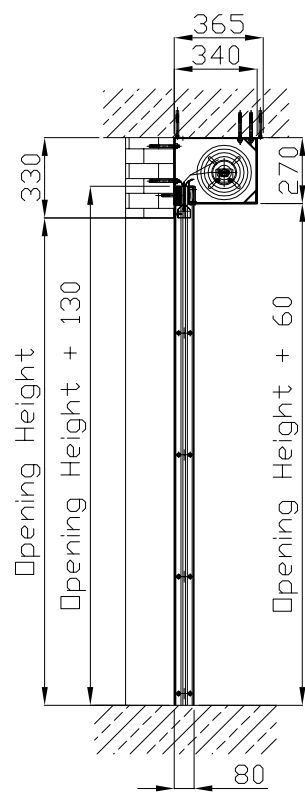
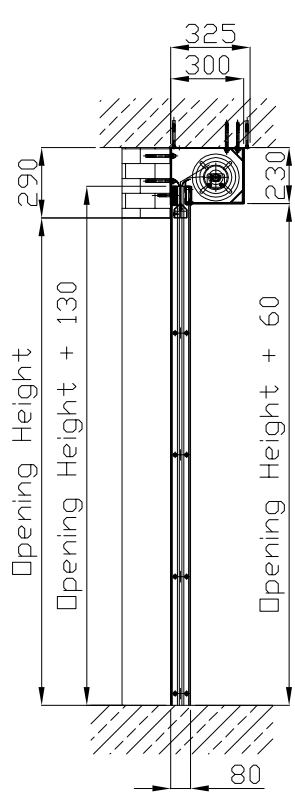
Type 1 housing.

Type 2 housing.

Type 3 housing.

Type 4 housing.

Type 5 housing.



Type 6 housing.

Type 7 housing.

Type 8 housing.

Type 9 housing.

Type 10 housing.

